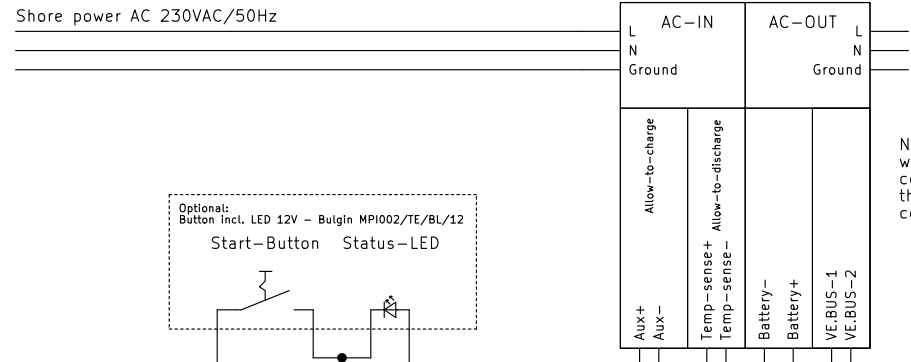
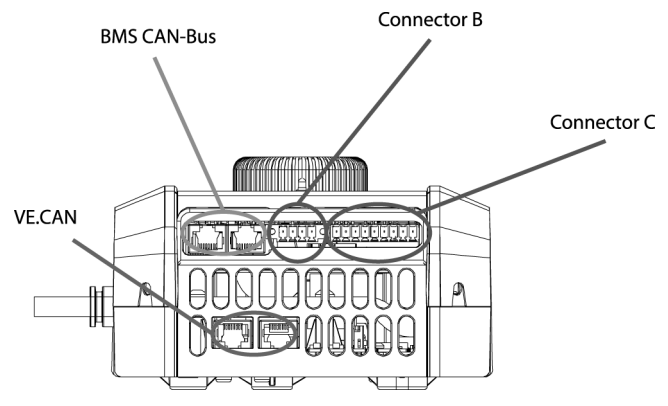
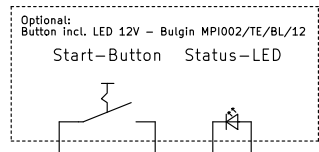


# Victron Multi/Quattro



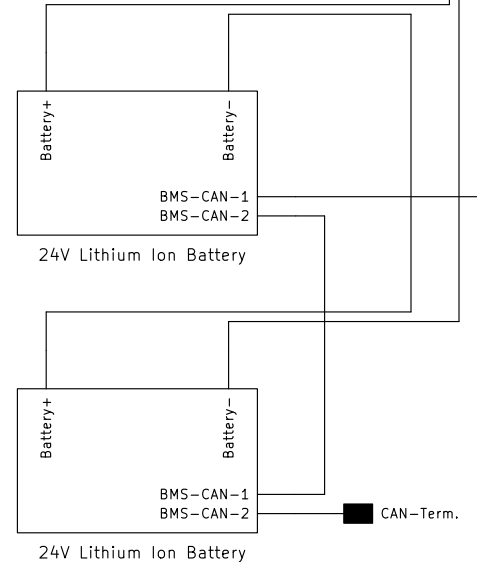
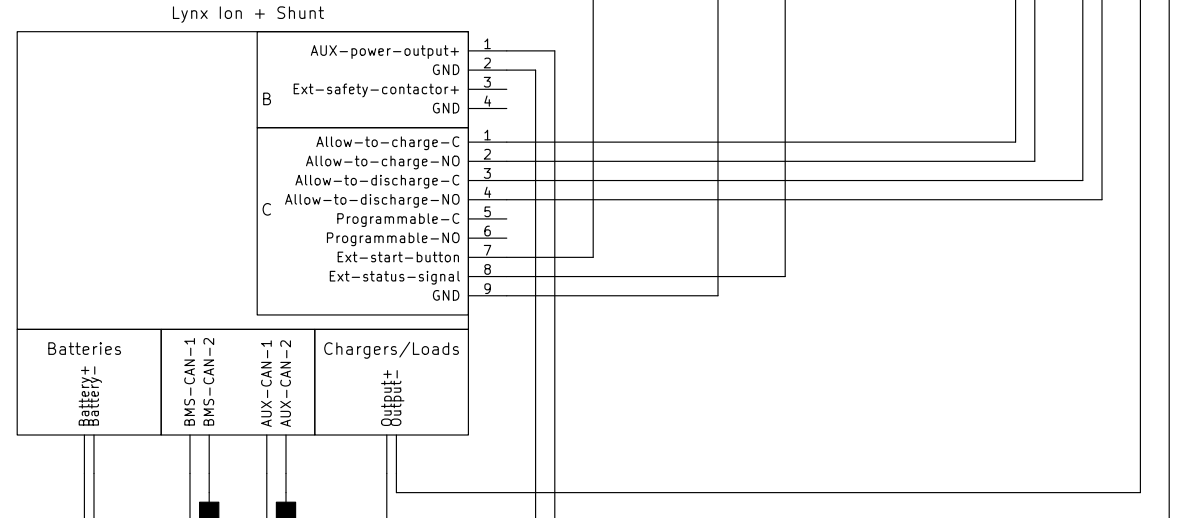
NOTE: To use the Victron Quattro/Multi in combination with the MG Master LV, there must be an assistant configured. If the assistant is configured properly, the allow-to-charge and allow-to-discharge contacts are enabled.



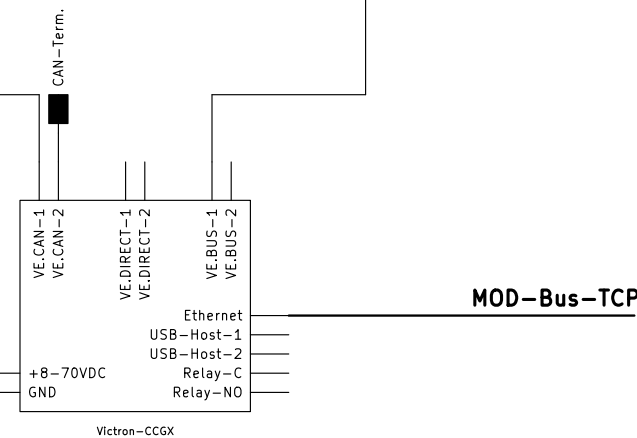
**Master LV LI IO connections:**

Conn.	Pin	I/O	Voltage Max.	Current Max.	Purpose
B	1	Out	+ V System	5 A	Aux. power output
	2		GND		
	3	Out	+ V System	5 A	External safety contactor
	4		GND		
C	1		60 V	1,0 A @ 60 V	Allow-to-charge
	2		60 V	1,0 A @ 60 V	Allow-to-discharge
	3		60 V	1,0 A @ 60 V	Allow-to-discharge
	4		60 V	1,0 A @ 60 V	Allow-to-discharge
	5		60 V	1,0 A @ 60 V	Programmable contact
	6		60 V	1,0 A @ 60 V	Programmable contact
	7	In			External START-button
	8	Out	12 V	140 mA	External status signal
	9				GND used for status signal and/or START-button

## Lynx Ion + Shunt



## Lithium-Ion Batteries



## Victron Color Control GX (CCGX)